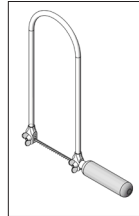


119.734

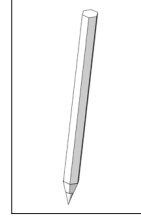
Money Box with Secret Lock



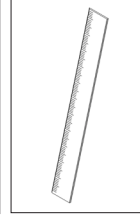
Tools Required:



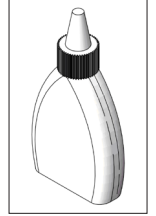
Fretsaw
Scroll Saw



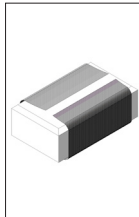
Pencil



Ruler



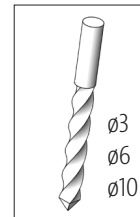
Wood Glue



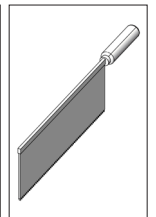
Sandpaper



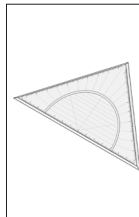
Engineer's File



Drill



Miter Saw



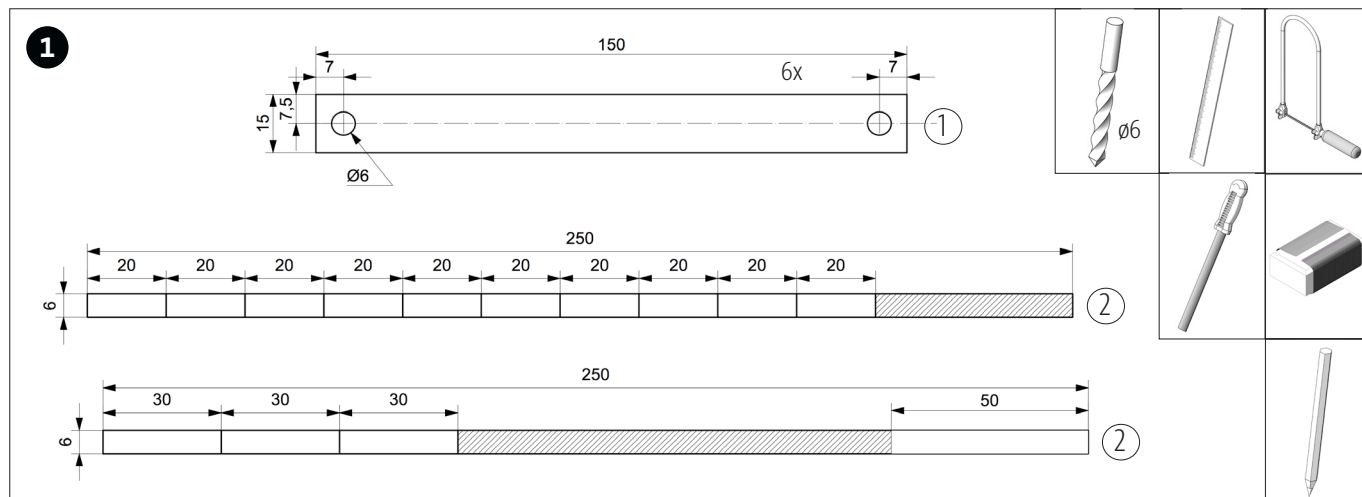
Triangle Ruler

Please Note:

Finished projects of OPITEC handcraft kits are not play toy articles in the same sense as general commercially available ones, but rather are intended as teaching and learning material supporting educational objectives. The content of this construction kit may only be built and used by children and adolescents under the guidance and supervision of qualified adults. Not suitable for children under 36 months. Risk of suffocation!

Parts List	Number of Pieces	Size (mm)	Designation	Part No.
Wooden Strip	7	150x15x15	Side Panels / Hammer Handle	1
Round Rod	2	ø6x250	Lock / Decoration / Connection	2
Cardboard Tube	1	250x55	Box (middle section)	3
Wooden Wheel	3	ø50	Bottom Plate & Lid	4
Wooden Strip	1	75x40x40	Hammer Head	5
Wooden Board	2	100x100x10	Bottom Plate & Lid	6

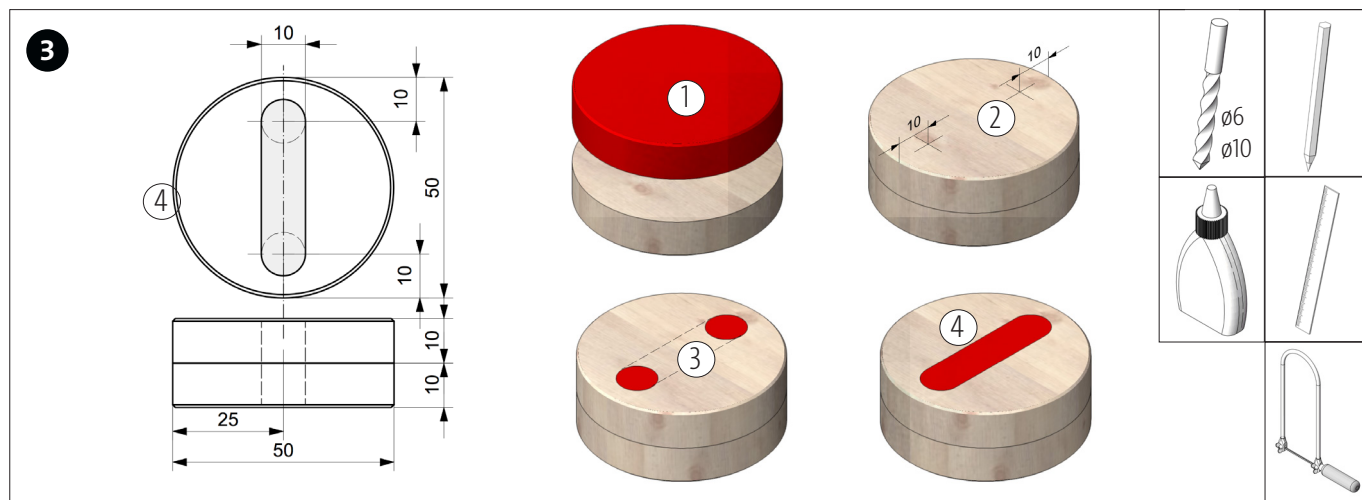
Building Instruction 119.734
Money Box with Secret Lock



Measure 7 mm from both ends on each of the 6 pieces of wooden strips (3) and drill a hole $\varnothing 6$ mm through the wood. Take the two round rods (6) and cut 10 pieces of 20 mm, 3 pieces of 30 mm and 1 piece of 50 mm length as shown above. Clean the saw cuts on both sides with sandpaper and chamfer using an engineer's file.

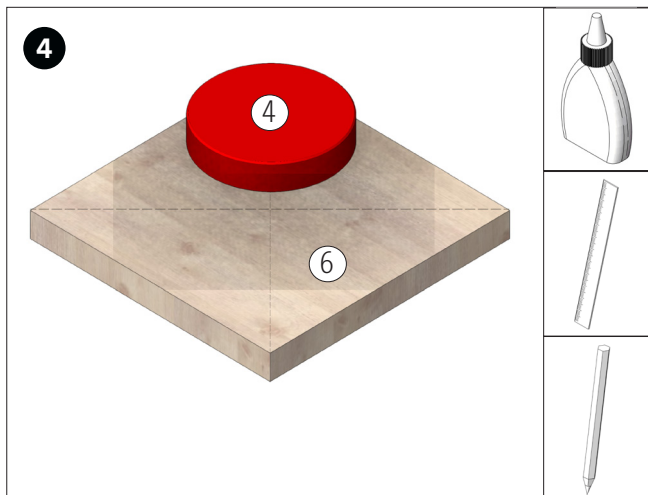


Cut the cardboard tube (1) to 150 mm with the saw and clean the saw cut.

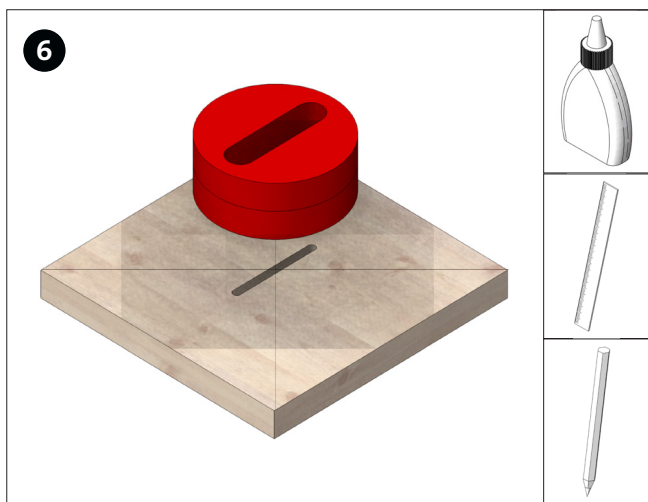


Glue two wooden wheels (4) together. At the center line measure 10 mm from both sides as shown and drill a $\varnothing 10$ mm hole through on each side. Then saw out the opening with the fretsaw.

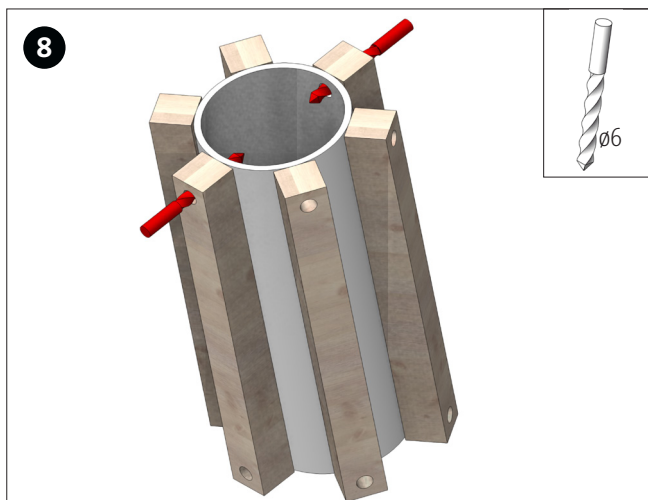
Building Instruction 119.734
Money Box with Secret Lock



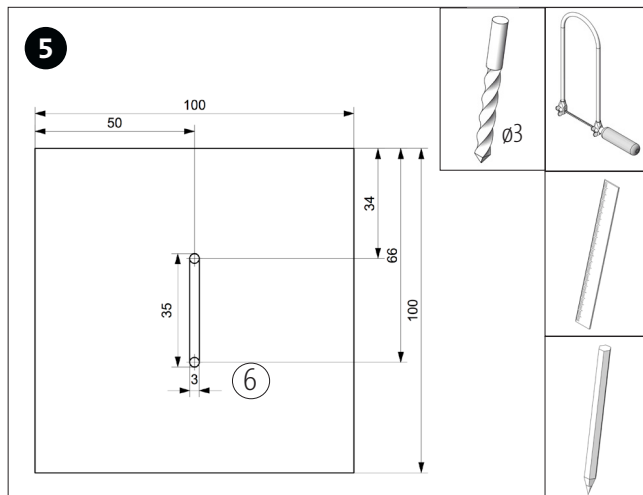
Glue the 3rd wooden wheel (4) to the center of the base plate (6) as shown.



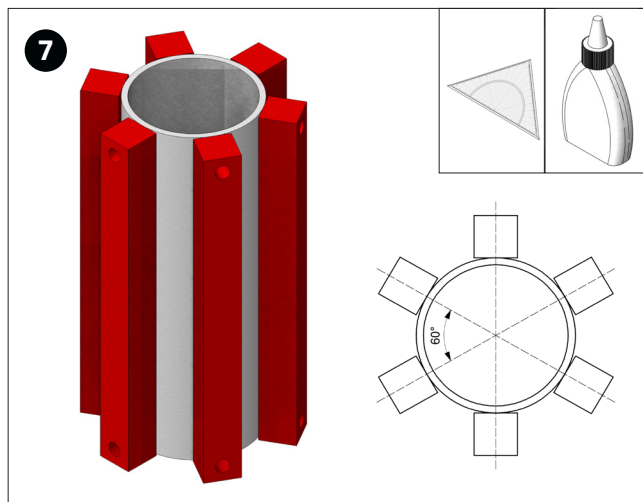
Glue the drilled and glued wooden wheels to the center of the lid's lower side. (Slots are aligned in the same direction!)



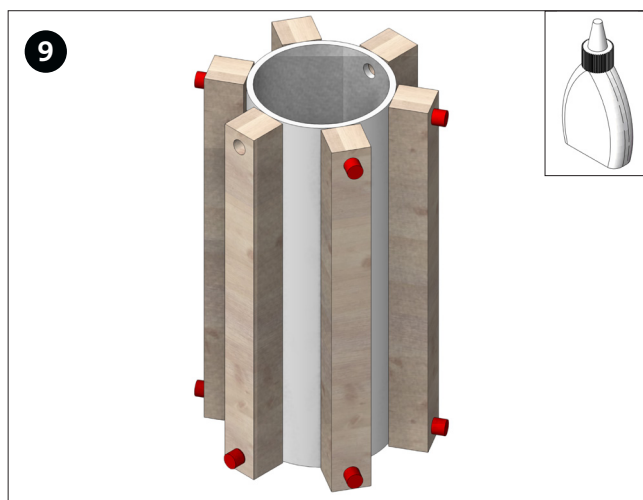
At two opposite holes at the top of the wooden strips drill through the cardboard tube. All other holes are NOT drilled through!



From the wooden board for the lid, work out the opening for later inserting the coins. Drill through two $\varnothing 3$ mm holes according to the drawing and then saw out the slot with the fretsaw.



Glue the 6 drilled wooden strips (1) around the cardboard tube (3) at an equal distance according to the template (page 5)

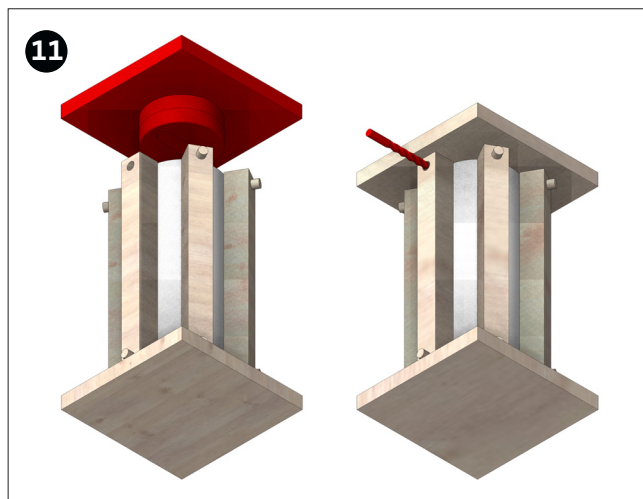


Glue 10 pieces of the 20 mm rods into the holes of the wooden strips as shown. The two holes drilled through the cardboard tube remain free!

Building Instruction 119.734
Money Box with Secret Lock



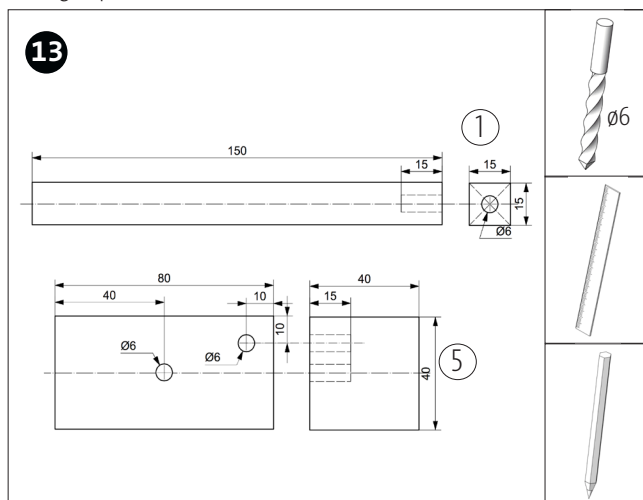
Glue the finished box to the bottom plate as illustrated so that the free holes are aligned parallel to the sides of the bottom.



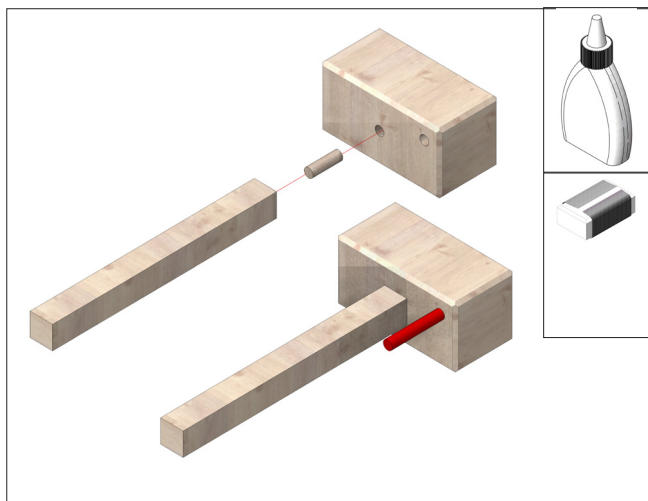
Place the cover in the same position as the bottom as illustrated, so that the slot aligns with the free holes. Then drill the holes $\varnothing 6$ mm through up to the slot.



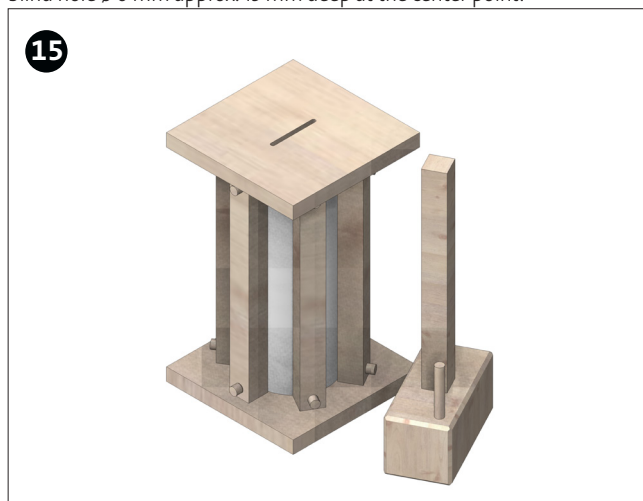
Insert 2 of the 30 mm dowels into the two free holes so that they protrude the same on the outside as the other dowels.



Mark the center point on the wooden strip (5) and drill a blind hole $\varnothing 6$ mm approx. 15 mm deep. Drill a retaining hole $\varnothing 6$ mm approximately 15 mm deep for the expeller. At one end of the wooden strip (1) also drill a blind hole $\varnothing 6$ mm approx. 15 mm deep at the center point.



Chamfer all the edges of the hammer head using sandpaper. Then glue the 30 mm dowel into the hammer head as shown and glue it to the handle. Insert the expeller wood into the hole provided for storage.



To open the money box with the hammer and the expeller wood, tap the dowels into the box and remove the cover. The lid can be opened and closed in this way again and again.

Building Instruction 119.734
Money Box with Secret Lock

Template for gluing the
wooden strips to the cardboard tube
M 1: 1

